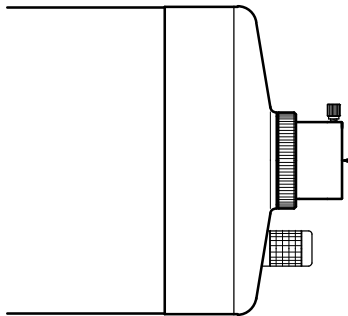


# C N - 2 1 2

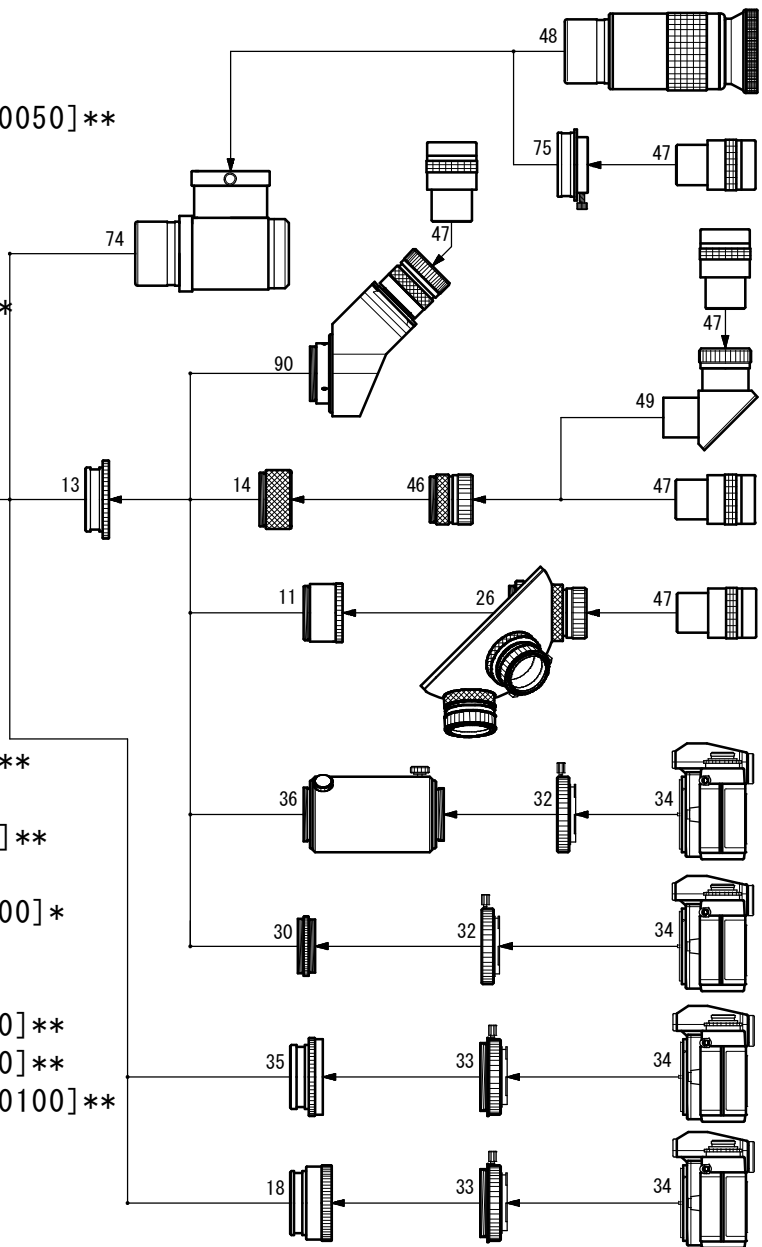
## Imaging/Visual System Chart (TX)

### Cassegrain System

- 11. F/6 Extension tube [S] [TSP0050]\*\*
- 13. 2" Sleeve [TCN0020]\*
- 14. Coupling "S" [TSP0030]\*
- 18. Reducer [TNC2100]\*\*
- 26. 5-Ocular turret\*\*
- 30. TSC Camera adapter [TSC0160]\*\*

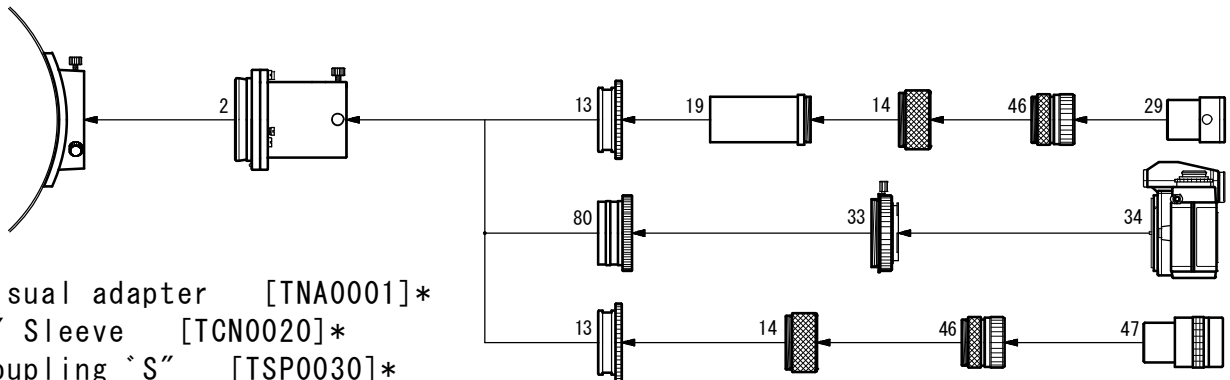


- 32. T-adapter\*\*
- 33. Wide mount T-adapter [TMW\_\_\_]\*\*
- 34. 35mm DSLR/SLR\*\*
- 35. 2" Prime focus ring [MMA0300]\*\*
- 36. TCA-4 [TFP0310]\*\*
- 46. 1 1/4" Ocular adapter [TOA0200]\*
- 47. 1 1/4" Ocular\*\*
- 48. 2" Ocular\*\*
- 49. 1 1/4" Prism diagonal [TFP0090]\*\*
- 74. 2" Mirror diagonal [TDM0200]\*\*
- 90. Twin Vue TM Bino viewer [TV00100]\*\*



### Newtonian System

- 2. Visual adapter [TNA0001]\*
- 13. 2" Sleeve [TCN0020]\*
- 14. Coupling "S" [TSP0030]\*
- 19. Collimating tube [TCE0030]\*
- 29. Collimating eyepiece [TCE0020]\*
- 33. Wide mount T-adapter [TMW\_\_\_]\*\*
- 34. 35mm DSLR/SLR\*\*
- 46. 1 1/4" Ocular adapter [TOA0200]\*
- 47. 1 1/4" Ocular\*\*
- 80. Flattener\*



\* Standard with OTA  
 \*\* Optional Item